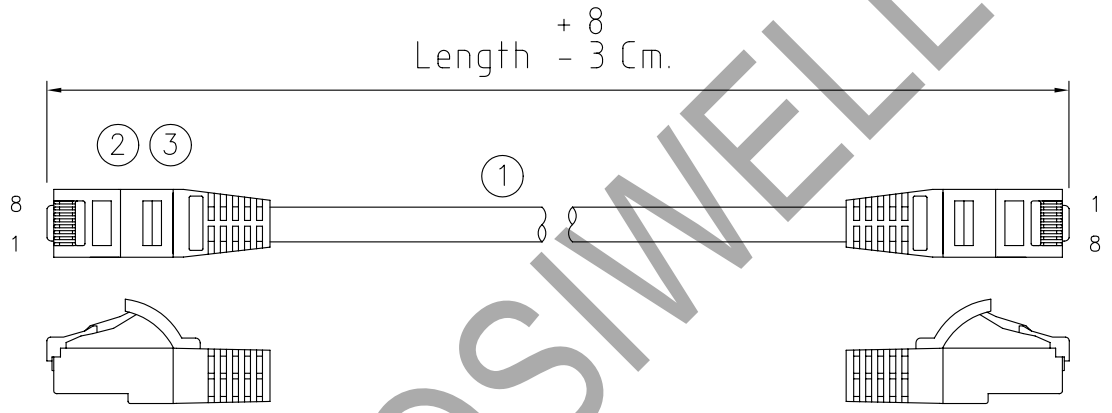


RevNo	Revision note	Date
△		
△		
△		

T-568B PIN OUT		
INSU. COLOR	RJ45PLUG (8P8C)	RJ45PLUG (8P8C)
WHITE	1	1
ORANGE	2	2
LIGHT GREEN	3	3
GREEN	6	6
BLUE	4	4
LIGHT BLUE	5	5
LIGHT BROWN	7	7
BROWN	8	8




LENGTH (METRE) (LL)
0.5 M.
1.0 M.
1.5 M.
2.0 M.
2.5 M.
3.0 M.
4.0 M.
5.0 M.
6.0 M.
7.0 M.
8.0 M.
10.0 M.
15.0 M.
20.0 M.

CC	COLOR
WH	WHITE (UTP 1)
RD	RED (UTP 2)
BK	BLACK (UTP 3)
GN	GREEN (UTP 4)
YW	YELLOW (UTP 5)
BL	BLUE (UTP 6)
BG	BEIGE (UTP 7)
GR	GREY (UTP 77)
OR	ORANGE (UTP 8)
VL	VIOLET (UTP 9)
PK	PINK (UTP 11)

HOSIWELL

10008-LLCC
For Example :
10008-1.0WH

③	B00TED PVC (MOLD NO. 07149)	2	PCS.
②	RJ45 PLUG 8P8C (104H-2A)	2	PCS.
①	UTP CAT.5E PATCH CABLE E135928 - T (UL)		
	CMR 4PR 24AWG PVC JACKET	1	PC.
ITEM	DESCRIPTION	Q'TY	UNIT
Designed by - date	Checked by - date	Approved by - date	Date
			29/09/2009
		Size	Scale
		A4	-
 HOSIWELL TECHNOLOGY CO., LTD.		Part Name	Unit
		Cat.5e UTP Patch Cord	M.
		Part No. 10008-LLCC	Issued
		1	
Ref. No.	Sheet		
Used On.	1 of 1		